



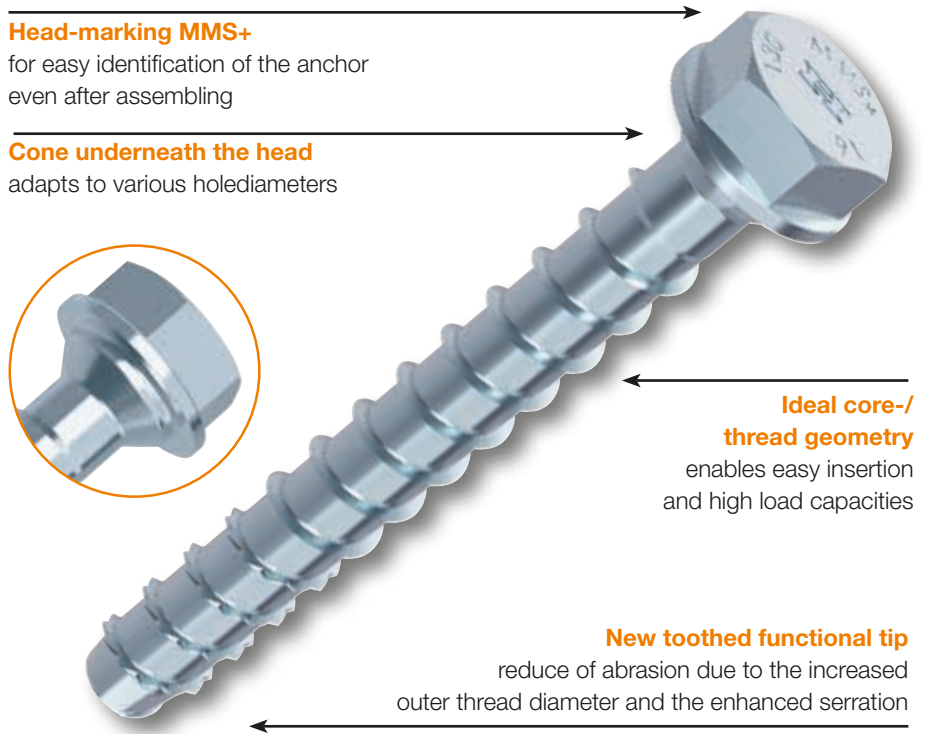
MULTI-MONTI[®]-plus SSK

THE INNOVATIVE SCREW ANCHOR FOR FASTENINGS OF
PUSH-PULL PROPS IN YOUNG CONCRETE



***MULTI-MONTI[®]-plus SSK – The reusable screw anchor for
safe and time saving erections***

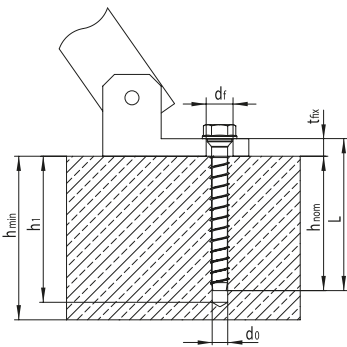
- Temporary fastenings of site equipment for example props, push-pull props, guardrails or scaffolding
- Dissassembling and reusability is permitted when using checking gauge
- Approved for the use in young concrete with a compression strength of at least $f_{c,cube} \geq 10 \text{ N/mm}^2$
- Clearance hole diameters from 17 – 23mm in bracings can be covered with one screw
- Settings can be carried out with machines as no defined installation torque is required
- No expansion pressure
- Safely applicable as no hidden mounting errors can occur
- Approved and monitored product



RANGE OVERVIEW

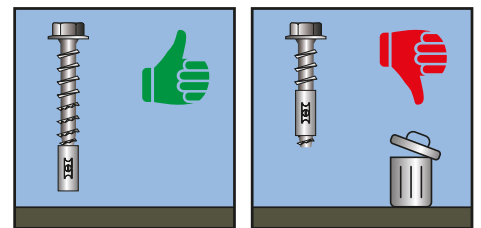
MMS-plus SSK, hexagon head with combined washer and cone, bright zinc plated

Size D x L [mm]	Article No.	Drill diameter d_0 [mm]	Clamping strength t_{ix} [mm]	Washer diameter [mm]	Recess	Clearance hole d_i [mm]	VE [pcs.]	Design resistance in kN for concrete with compression strength of $f_{c,cube}$			
								$\geq 10 \text{ N/mm}^2$	$\geq 15 \text{ N/mm}^2$	$\geq 20 \text{ N/mm}^2$	$\geq 25 \text{ N/mm}^2$
16 x 130	53794	14	15	29,5	SW-24	17-23	10	12,5	15,3	17,7	19,8



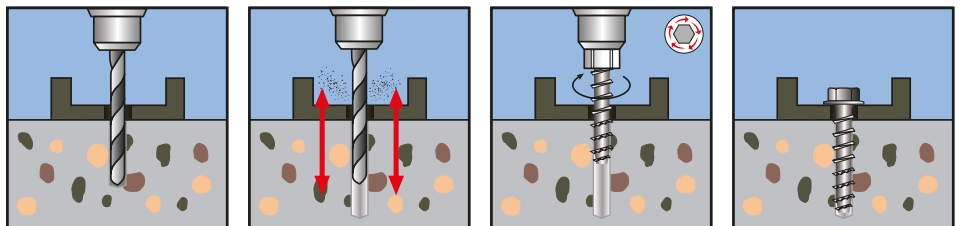
REUSABILITY CHECK

Due to the **HECO checking gauge** (Article no. 47794) the anchors reusability can be verified at any time when being applied for temporary fixations.



THE RIGHT WAY TO INSTALL

1. Drill a hole
2. Remove dust
3. Insert anchor
4. Finished



HECO-Schrauben GmbH & Co. KG
 Dr.-Kurt-Stein-Straße 28, D-78713 Schramberg
 Tel.: +49 (0) 74 22 / 9 89-0
 Fax: +49 (0) 74 22 / 9 89-200
 E-Mail: info@heco-schrauben.de
 Internet: www.heco-schrauben.com



Your specialist dealer: